

NanoTron-N

Microprocessor Control of:

- mA Input
Scalable mA Output
Scalable Pulse Output
- Selectable Feed Timers



Key Features

- Compact Design
- Simple Step Through Menu
- NEMA 4X Style Enclosure
- Raised Dome Keypad
- Non-Volatile Memory
- Water Meter Totalizer
- 2 Year Warranty
- Prewired Configuration
- Available Flow Switch

Application

The NanoTron-N is a compact, dual relay, microprocessor-based controller. It comes with many standard features including one control relay based on a scalable mA input reading, and one selectable feed timer relay.

The NanoTron-N platform provides an economical option for generic input monitoring & control of any mA signal. Selectable feed timer options include: pulse, post control, with control, recycle, 28-day.

Build a Model

The model number starts with **NANO-N** and may be followed by any additional options.

Example: **NANO-N-E**

Options

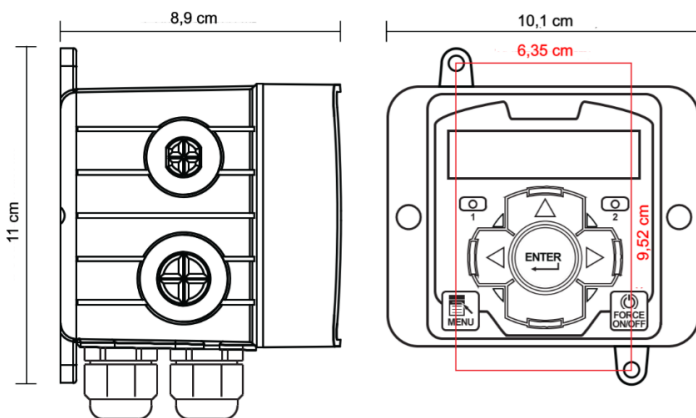
- A2** = Conduit with CE mark, 240VAC
- E** = Float style flow switch assembly; 8,2 Bar @ 52°C
- E6** = Flow switch connection only with cable
- K** = Prewired cable for mA Output (Nano-N, M, P or R only) with external connector

All NanoTron units include:

- 2 relay outputs with “force on” mode
- 1 low drum alarm input
- 1 water meter input with accumulator and totalizer

Possible units of measure for mA input display:

mA	mg/L	gl	Ltr
lb	ml	F	C
psi	%	Mil/Yr	µM/Yr
CFU/ml	gpm	Lpm	mm
pH	mS/cm	PPB	N/A
PPM	µS/cm	TDS	mV



Specifications

Electrical

- **Input:** 100-240 VAC, 50/60 Hz
- **Control:** Input VAC, 3 Amp / relay
Prewired units are supplied with an 2,5 meter power cord and 20cm output receptacles.
- **Water Meter:** Dry contact
Hall-effect; +5 VDC input

Operational

- **Output:** 1 scalable mA output powered orisolated
1 scalable pulse output
- **Display:** LCD 1 x 16 backlit alphanumeric
- **Timers included:**
 - Pulse:** 1-9999 counts, MM:SS run time
 - Recycle:** HH:MM off cycle, MM:SS on cycle
 - 28-Day:** Weeks, Days, HH:MM run time
 - Batch:** Manual 1 time (on MM:SS)
 - With Control:** HH:MM limit time
 - Post Control:** 0-100%, HH:MM limit time
 - Utility:** Relay always ON & flow dependent
 - Alarm:** Relay ON with alarms

Enclosure

Heavy duty NEMA 4X style high impact thermoplastic

Environment

Ambient temperature: -17 to 52°C
Relative humidity: 0 to 100%

Shipping Weight: Approximately 1 kg

Dimensions:

Width: 10,16 cm
Height: 10,80 cm
Depth: 8.89 cm