

# P1000 ATEX

## Diaphragm pumps

- **Fluid connections:** 3" BSP - DN 80
- **Air connection:** 3/4" BSP
- **Max flow-rate:** 1050 lt/min
- **Max air pressure:** 8 bar
- **Max delivery head:** 80 m
- **Max Suction Lift Dry:** 5 m
- **Max Suction Lift Wet:** 9,8 m
- **Max Solid passing:** 12 mm
- **Noise level:** 82 dB
- **Max Viscosity:** 55.000 cps
- **Displacement per stroke:** 9750 CC~

## Available versions

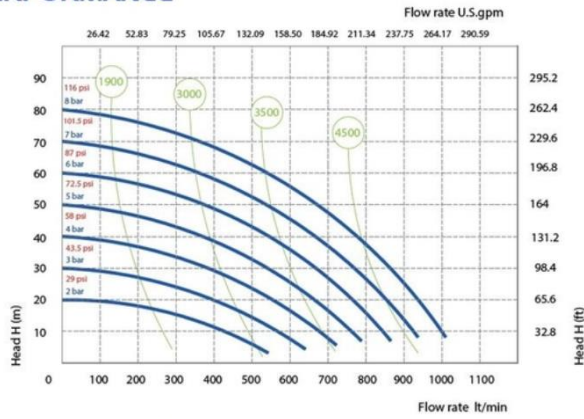


ALU



SS

## PERFORMANCE

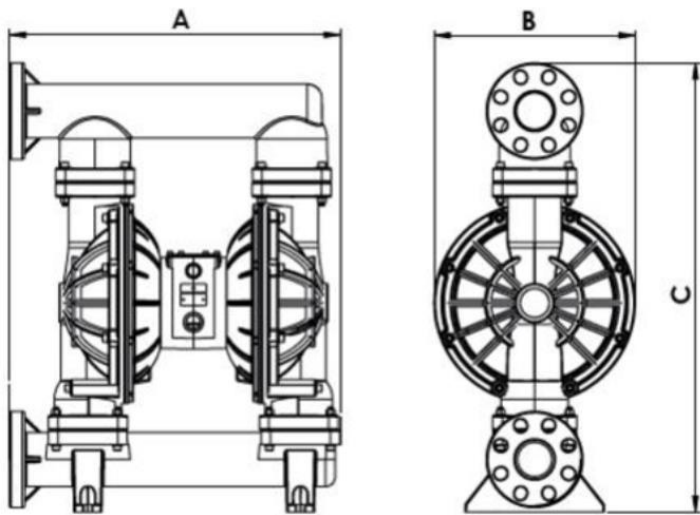


- Air supply pressure
- Air consumption Nl/min

The curves and performance values refer to pumps with submerged suction and a free delivery outlet with water at 20°C, and vary according to the construction material.

## DIMENSIONS

	A	B	C	WIGHT	TEMPERATURE	
PP	685 mm	417 mm	933 mm	50 Kg	- 4 °C	+ 65 °C
PVDF	685 mm	417 mm	933 mm	55 Kg	- 20 °C	+ 95 °C
ALU	570 mm	420 mm	838 mm	55 Kg	- 20 °C	+ 95 °C
SS	570 mm	420 mm	838 mm	120 Kg	- 20 °C	+ 95 °C



Contact us for more info: [info@advantage-eu.com](mailto:info@advantage-eu.com)