

NanoTron

Dual Relay Control

Microprocessor Control of:

- Conductivity
- Feed Timer
 - Pulse
 - 28-Day
 - Recycle
 - Post Bleed
 - Reminder
 - Batch



Key Features

- Compact Design
- Simple Step Through Menu
- NEMA 4X Style Enclosure
- Raised Dome Keypad
- Non-Volatile Memory
- 2 Year Warranty
- Prewired Configuration
- Available Flow Switch

Application

The NanoTron is a compact, dual relay microprocessor-based controller with many standard features. NanoTron models are available to control conductivity and one selectable feed timer, or two independently programmable feed timers.

The NanoTron platform provides an economical option for conductivity control of a cooling tower, boiler, or other recirculating water system. Selectable feed timer options include: pulse, post bleed, with bleed, recycle, 28-day, batch and reminder.

Build a Model

The model number starts with **NANO** followed by a single control function then any additional options.
Example: **NANO-C-E**

Control Functions

- C** = Tower conductivity with 1 feed timer
- B2** = Boiler conductivity with 1 feed timer
- F2** = Two feed timers

Options

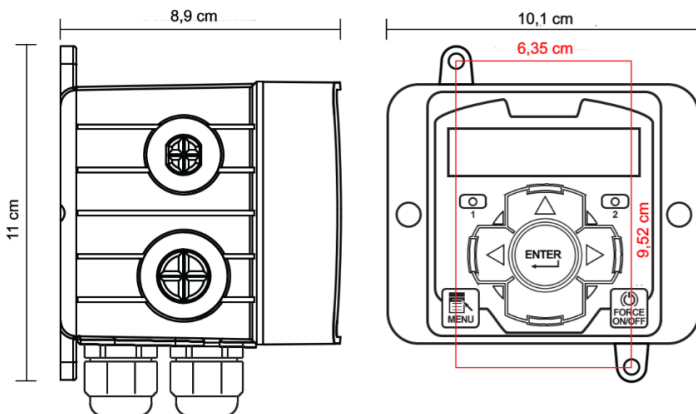
- A2** = Conduit with CE mark, 240VAC
- E** = Float style flow switch assembly; 8,2 Bar @ 52°C
- E6** = Flow switch connection only with cable
- O1** = 4-20mA output (only for Nano C/B models)

All NanoTron units include:

- 2 relay outputs with “force on” mode
- 1 low drum alarm input
- 1 water meter input with accumulator and totalizer

NANO-F2 units include two drum level and water meter inputs and timer selections include: pulse, recycle, batch and 28-day.

Conductivity units can be set for rising or falling and continuous, timed or sample and hold.



Specifications

Electrical

- **Input:** 100-240 VAC, 50/60 Hz
- **Control:** Input VAC, 3 Amp / relay
Prewired units are supplied with an 2,5 meter power cord and 20cm output receptacles.
- **Water Meter:** Dry contact
Hall-effect; +5 VDC input

Operational

- **Conductivity Scale Ranges:**
 - Low:** 10-1,000µS
 - Mid:** 100-7,000µS
 - High:** 1,000-10,000µS
- **Display:** LCD 1 x 16 backlit alphanumeric
- **Timers included in all models:**
 - Pulse:** 1-9999 counts, MM:SS run time
 - Recycle:** HH:MM off cycle, MM:SS on cycle
 - 28-Day:** Weeks, Days, HH:MM run time
- **Conductivity models also include:**
 - Batch:** Manual 1 time (on MM:SS)
 - Reminder:** 1-99 days
 - With Bleed:** HH:MM limit time
 - Post Bleed:** 0-100%, HH:MM limit time
 - Utility:** Relay always ON & flow dependent

Enclosure

Heavy duty NEMA 4X style high impact thermoplastic

Environment

Ambient temperature: -17 to 52°C
Relative humidity: 0 to 100%

Electrode

Standard tower electrode is supplied in a 3/4" Sch. 80 PVC female slip tee with quick release nut.

- **TE-4A** 10 Bar / 60°C Max
- **DC-4A** 82°C max tank mount electrode

Boiler electrodes supplied with 1" MNPT bushing

- **BE-32** 17 Bar @ 204°C

Shipping Weight: Approximately 1 kg

Dimensions:

Width: 10,16 cm
Height: 10,80 cm
Depth: 8.89 cm