

P252 ATEX

Diaphragm pumps

- **Fluid connections:** 1" 1/4 BSP
- **Air connection:** 1/2" BSP
- **Max flow-rate:** 250 lt/min
- **Max air pressure:** 8 bar
- **Max delivery head:** 80 m
- **Max Suction Lift Dry:** 5 m
- **Max Suction Lift Wet:** 9,8 m
- **Max Solid passing:** 7,5 mm
- **Noise level:** 75 dB
- **Max Viscosity:** 35.000 cps
- **Displacement per stroke:** 700 CC~

Available versions



PP+CF



PVDF+CF

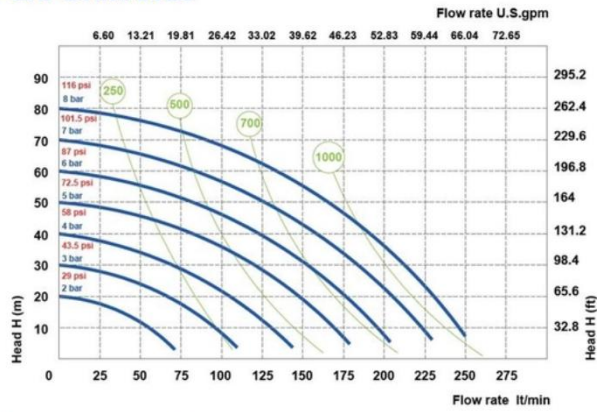


ALU (P 250)



SS

PERFORMANCE

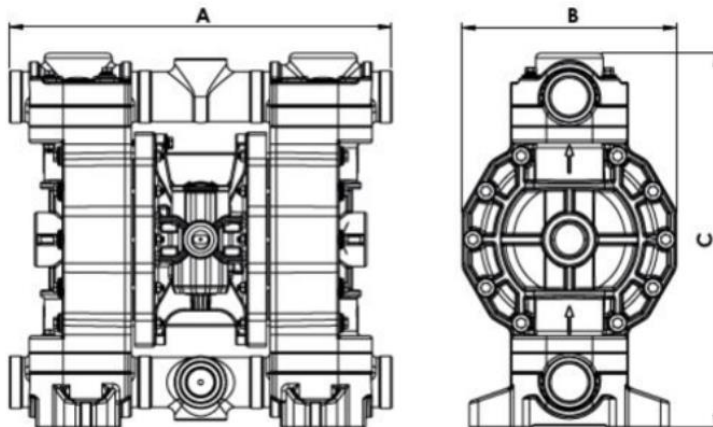


- Air supply pressure
- Air consumption Nl/min

The curves and performance values refer to pumps with submerged suction and a free delivery outlet with water at 20°C, and vary according to the construction material.

DIMENSIONS

	A	B	C	WIGHT	TEMPERATURE	
PP	396 mm	222 mm	388 mm	15 Kg	-4 °C	+ 65 °C
PVDF	396 mm	222 mm	388 mm	16 Kg	-20 °C	+ 95 °C
ALU	370 mm	222 mm	364 mm	15 Kg	-20 °C	+ 95 °C
SS	357 mm	222 mm	374 mm	20 Kg	-20 °C	+ 95 °C



Contact us for more info: info@advantage-eu.com