

# EVC Systems

Timed Sampling  
Conductivity  
Control for  
Evaporative  
Condensers



## Key Features

- Easy Wall Installation
- Lockable Enclosure
- Timer
- Economical Package
- Total Package Numbering
- Timed Sampling
- Simple Step Through Menu

## Application

EVC Systems for evaporative condensers allow for a simple installation without a sample loop using timed sampling control.

One 3/4" pipe from cooler to drain through the EVC provides conductivity bleed control.

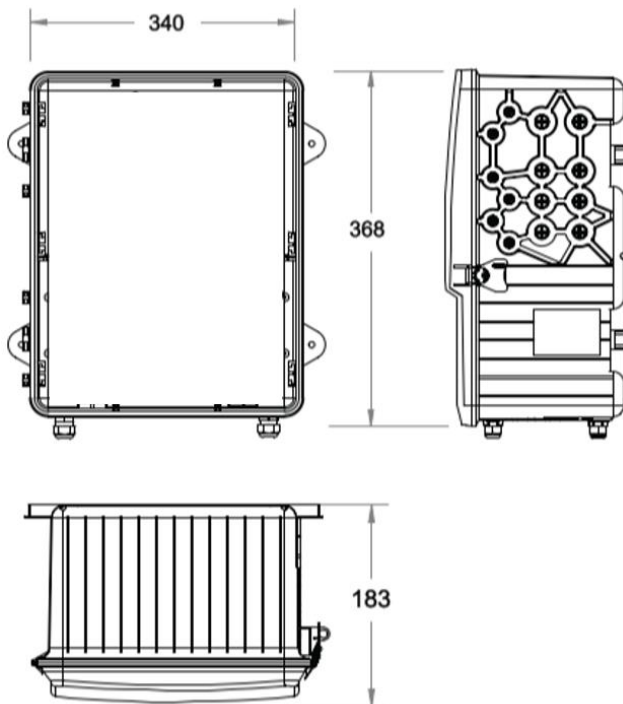
Selectable feed timer options include: pulse, post bleed, with bleed, recycle or 28-day biocide.

## Models

- EVC-1XX** Nano-C with conductivity, bleed valve and isolation valve in a black enclosure
- Board selection**  
**X** – No board  
**B** – Mounts EVC on board with 1 pump shelf  
**C** – Mounts EVC on board with 2 pump shelves
- Pump selection**  
**X** – No pumps  
**1** – One 1,9 l/h MicroLynx M Pump  
**2** – One 4,7 l/h MicroLynx M Pump  
**3** – Two 1,9 l/h MicroLynx M Pumps  
**4** – Two 4,7 l/h MicroLynx M Pumps

## Dimensions

In mm



## Specifications

### Electrical

- **Input:** 100-240 VAC, 50/60 Hz
  - **Control:** Input VAC, 3 Amp / Relay
- Prewired units are supplied with an 2,5m power cord.

### Operational

- **Conductivity Scale Ranges:**  
**Low:** 5-1,000µS  
**Mid:** 100-5,000µS  
**High:** 1,000-20,000µS for towers
- **Display:** LCD 1x16 backlit alphanumeric
- **Timers included in all models:**  
**Pulse:** 1-9999 counts, MM:SS run time  
**Recycle:** HH:MM off cycle, MM:SS on cycle  
**28-Day:** Weeks, Days, HH:MM run time  
**With Bleed:** HH:MM limit time  
**Post Bleed:** 0-100%, HH:MM limit time

### Enclosure

Heavy duty NEMA 4X style high impact ABS with padlockable gasketed black viewing door.

### Environment

Ambient temperature: -17 to 52°C  
 Relative humidity: 0 to 100%

### Electrode

Standard tower electrode is supplied in a 3/4" (1.91 cm) Sch. 80 PVC female slip tee with quick release nut.

- **TE-4A** 8.2 bar @ 52°C

**Shipping Weight:** Approximately 5,9 kg