

# NanoTron-N

## Microprocessor Control of:

- mA Input  
Scalable mA Output  
Scalable Pulse Output
- Selectable Feed Timers



## Key Features

- Compact Design
- Simple Step Through Menu
- NEMA 4X Style Enclosure
- Raised Dome Keypad
- Non-Volatile Memory
- Water Meter Totalizer
- 2 Year Warranty
- Prewired Configuration
- Available Flow Switch

## Application

The NanoTron-N is a compact, dual relay, microprocessor-based controller. It comes with many standard features including one control relay based on a scalable mA input reading, and one selectable feed timer relay.

The NanoTron-N platform provides an economical option for generic input monitoring & control of any mA signal. Selectable feed timer options include: pulse, post control, with control, recycle, 28-day.

## Build a Model

The model number starts with **NANO-N** and may be followed by any additional options.

Example: **NANO-N-E**

## Options

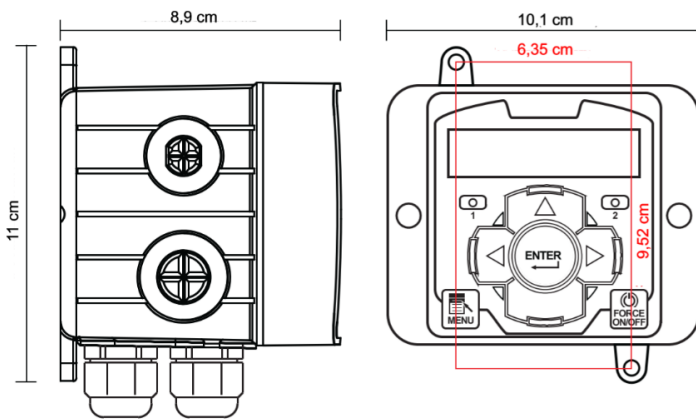
- A2** = Conduit with CE mark, 240VAC
- E** = Float style flow switch assembly; 8,2 Bar @ 52°C
- E6** = Flow switch connection only with cable
- K** = Prewired cable for mA Output (Nano-N, M, P or R only) with external connector

All NanoTron units include:

- 2 relay outputs with "force on" mode
- 1 low drum alarm input
- 1 water meter input with accumulator and totalizer

Possible units of measure for mA input display:

<b>mA</b>	<b>mg/L</b>	<b>gl</b>	<b>Ltr</b>
<b>lb</b>	<b>ml</b>	<b>F</b>	<b>C</b>
<b>psi</b>	<b>%</b>	<b>Mil/Yr</b>	<b>µM/Yr</b>
<b>CFU/ml</b>	<b>gpm</b>	<b>Lpm</b>	<b>mm</b>
<b>pH</b>	<b>mS/cm</b>	<b>PPB</b>	<b>N/A</b>
<b>PPM</b>	<b>µS/cm</b>	<b>TDS</b>	<b>mV</b>



## Specifications

### Electrical

- **Input:** 100-240 VAC, 50/60 Hz
- **Control:** Input VAC, 3 Amp / relay  
Prewired units are supplied with an 2,5 meter power cord and 20cm output receptacles.
- **Water Meter:** Dry contact  
Hall-effect; +5 VDC input

### Operational

- **Output:** 1 scalable mA output powered orisolated  
1 scalable pulse output
- **Display:** LCD 1 x 16 backlit alphanumeric
- **Timers included:**
  - Pulse:** 1-9999 counts, MM:SS run time
  - Recycle:** HH:MM off cycle, MM:SS on cycle
  - 28-Day:** Weeks, Days, HH:MM run time
  - Batch:** Manual 1 time (on MM:SS)
  - With Control:** HH:MM limit time
  - Post Control:** 0-100%, HH:MM limit time
  - Utility:** Relay always ON & flow dependent
  - Alarm:** Relay ON with alarms

### Enclosure

Heavy duty NEMA 4X style high impact thermoplastic

### Environment

Ambient temperature: -17 to 52°C  
Relative humidity: 0 to 100%

**Shipping Weight:** Approximately 1 kg

### Dimensions:

Width: 10,16 cm  
Height: 10,80 cm  
Depth: 8.89 cm