

# P170 ATEX

## Diaphragm pumps

- **Fluid connections:** 1" BSP - DN25
- **Air connection:** 1/2" BSP
- **Max flow-rate:** 170 lt/min
- **Max air pressure:** 8 bar
- **Max delivery head:** 80 m
- **Max Suction Lift Dry:** 5 m
- **Max Suction Lift Wet:** 9,8 m
- **Max Solid passing:** 7,5 mm
- **Noise level:** 75 dB
- **Max Viscosity:** 35.000 cps
- **Displacement per stroke:** 700 CC~

## Available versions



PP+CF



PVDF+CF

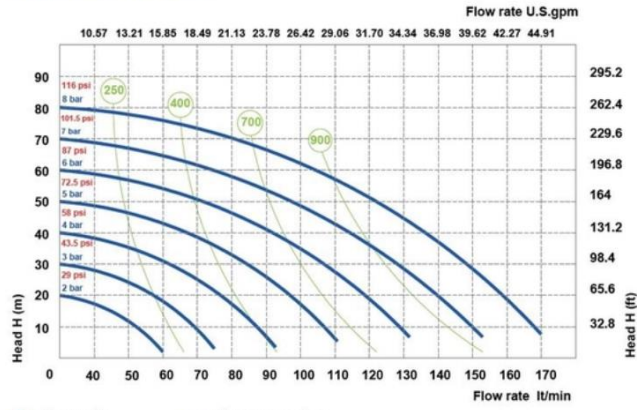


ALU (P 160)



SS

## PERFORMANCE

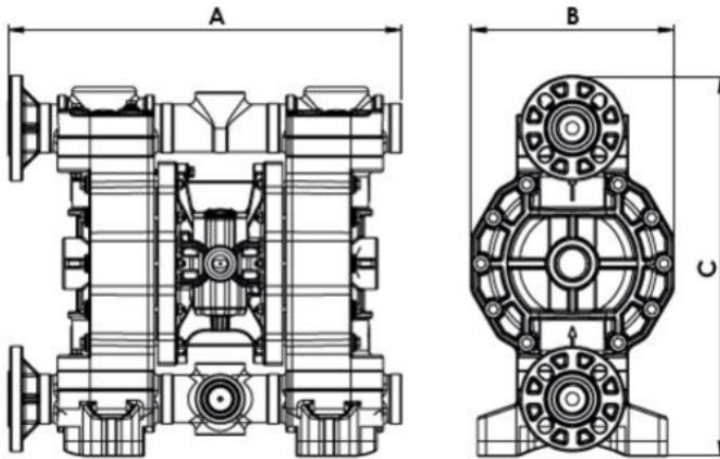


● Air supply pressure  
○ Air consumption Nlt/min

The curves and performance values refer to pumps with submerged suction and a free delivery outlet with water at 20°C, and vary according to the construction material.

## DIMENSIONS

	A	B	C	WIGHT	TEMPERATURE	
PP	430 mm	222 mm	416 mm	15 Kg	- 4 °C	+ 65 °C
PVDF	430 mm	222 mm	416 mm	16 Kg	- 20 °C	+ 95 °C
ALU	370 mm	222 mm	364 mm	15 Kg	- 20 °C	+ 95 °C
SS	357 mm	222 mm	371 mm	20 Kg	- 20 °C	+ 95 °C



Contact us for more info: [info@advantage-eu.com](mailto:info@advantage-eu.com)