

NanoTron-M

Corrosion Monitor and Control

Linear Polarization
Resistance (LPR)
Corrosion Rate
Measurement



Key Features

- Compact Design
- Simple Step Through Menu
- NEMA 4X Style Enclosure
- Raised Dome Keypad
- Non-Volatile Memory
- 2 Year Warranty
- Prewired Configuration
- Pitting Output Available

Application

The NanoTron-M provides compact microprocessor based corrosion monitor control with many standard features and the flexibility to adapt to a variety of applications.

The NanoTron's simple step through menu provides user-defined configuration of set point relay activation with differential, high and low alarm.

A control relay and scalable analog output provide control, alarm and communication capabilities.

Base Models

- NANO-M0** = Corrosion monitor with no sensor body
NANO-M01 = Corrosion monitor with PVC quick release probe body and 3/4" tee; 10 Bar @ 24°C
NANO-M02 = Corrosion monitor with 1" SS threaded probe body; 14 Bar @ 94°C
NANO-M20 = Corrosion and pitting monitor with no sensor
NANO-M21 = Corrosion and pitting monitor with PVC quick release probe body; 10 Bar @ 24°C
NANO-M22 = Corrosion and pitting monitor with 1" SS threaded probe body; 14 Bar @ 94°C

Options

Your unit may be supplied with one or more options listed at the end of the model number (i.e. **NANO-M0-A2E**). This list represents our most popular options. For a complete list of options, consult the factory.

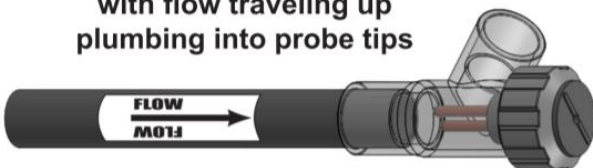
- A2** = Conduit with CE mark, 240VAC
E = Float style flow switch assembly; 10 Bar @ 24°C

Corrosion Sensor Tips (order separately)

- CE-MS** = Pair of Mild Steel
CE-CO = Pair of Copper
CE-BR = Pair of Admiralty Brass
CE-CN = Pair of Cupro-Nickel
CE-AL = Pair of Aluminum
CE-SS-304L = Pair of 304 SS

Consult factory for other tip materials

Typical installation
with flow traveling up
plumbing into probe tips



Specifications

Electrical

- **Input:** 100-240 VAC, 50/60 Hz
- **Control/Alarm:** Input VAC, 3 Amp / relay
Prewired units are supplied with an 2,5 meter power cord and an 20cm output receptacle.
- **Analog Output:** Isolated 4-20mA

Operational

- **Display:** LCD 1 x 16 backlit alphanumeric
- **Keypad:** 6 button, raised dome tactile feedback
- **Scale:** 00.00-99.99 corrosion pitting

Enclosure

Heavy duty NEMA 4X style high impact thermoplastic

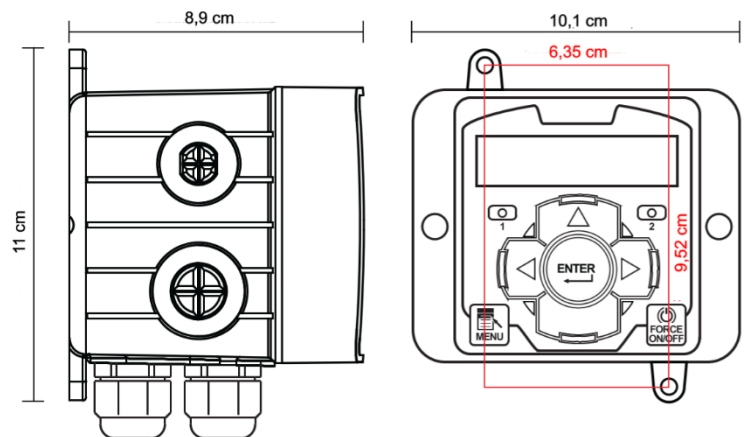
Environment

- Ambient temperature: -17 to 52°C
 Relative humidity: 0 to 100%

Shipping Weight: Approximately 1 kg

NanoTron-M standard features include:

- 1 relay output (control)
- Scalable analog output 4-20mA



Note: Probe must be mounted horizontally.

The inlet to the corrosion probe tee must have at minimum 20 cm of straight 3/4" rigid pipe. No other loop components can be installed in this section of pipe immediately before the corrosion probe tee; this includes measurement probes, elbow fittings, or tee fittings. Any adapters or pipe size changes must occur prior to this 20 cm section of pipe.