



Europe
Advantage

MegaTron *XS* Applications

MegaTron^{XS} Controller



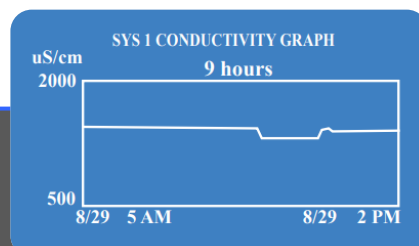
ACI MEGATRON			
SYS1: TOWER CARD 1			
COND	1,400	uS/cm	STATUS
pH	7.2		SYS OK
ORP	375	mV	TEMPL: 77.1 F
			FLOW: ON
SYSTEM OK		RELAYS	

The MegaTron XS is the most user-friendly water treatment controller available.

Designed to measure and control multiple parameters in your **cooling towers, boilers, process water and more.**

Monitoring & Control Options:

- Conductivity
- Make-Up Conductivity
- pH
- ORP
- 4-20 mA Signals
- Digital Inputs
- PTSA
- Tagged Polymer
- Turbidity
- Disinfection (Free Chlorine, ...)
- Water Meter Inputs
- Aux Flowmeter inputs

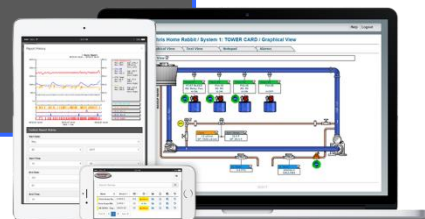


Maximum Optional Capacity:

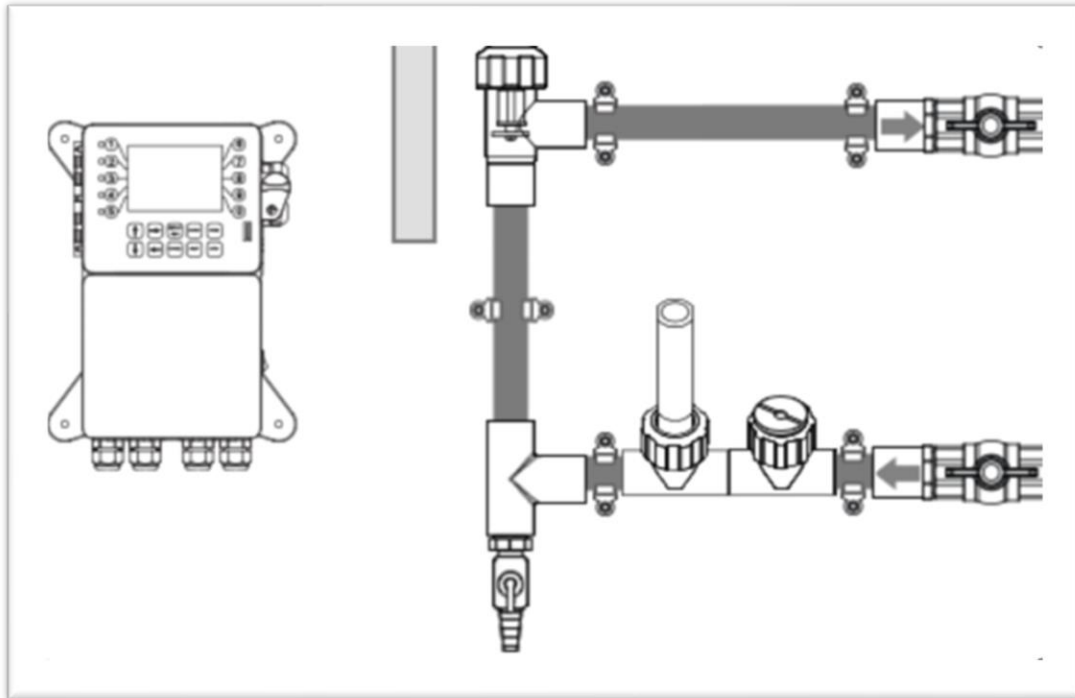
- 5 Control Relays
- 8 4-20 mA Inputs
- 4 4-20 mA Outputs
- 4 Auxiliary Flowmeter Inputs
- 2 Water Meter Inputs
- 1 Flow Switch Input
- 5 Feed Timers
- 6 Sensors
- 5 Digital Inputs

Features:

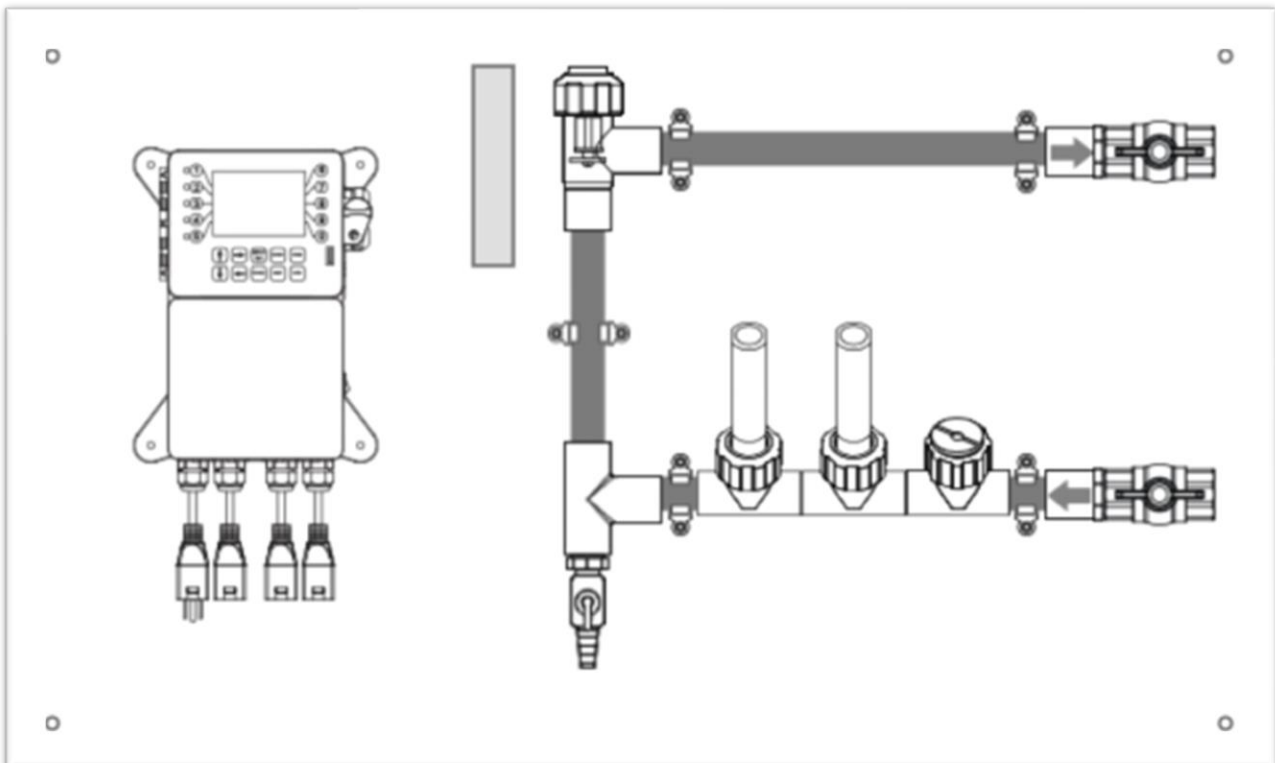
- On Board History
- Web Capable
- Service Notepad
- Customizable Screen
- One or Two Point Calibration
- Modbus & BACnet Options
- Assignable Relay Logic
- USB History download,



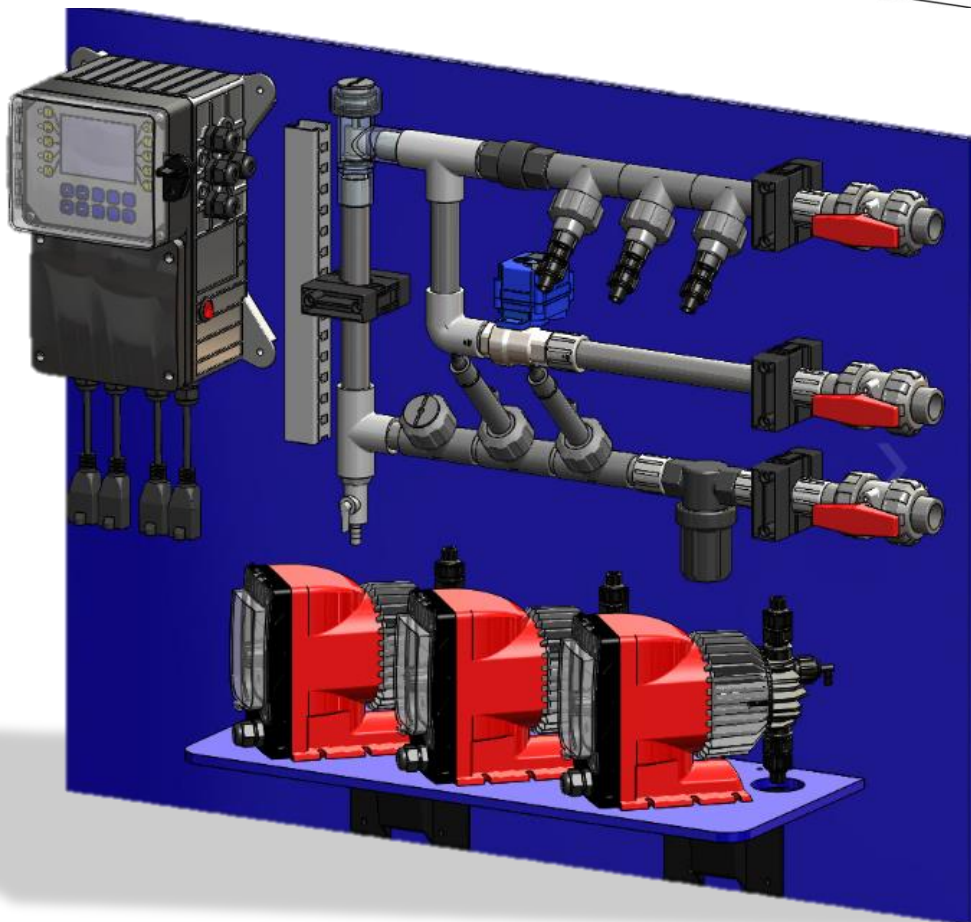
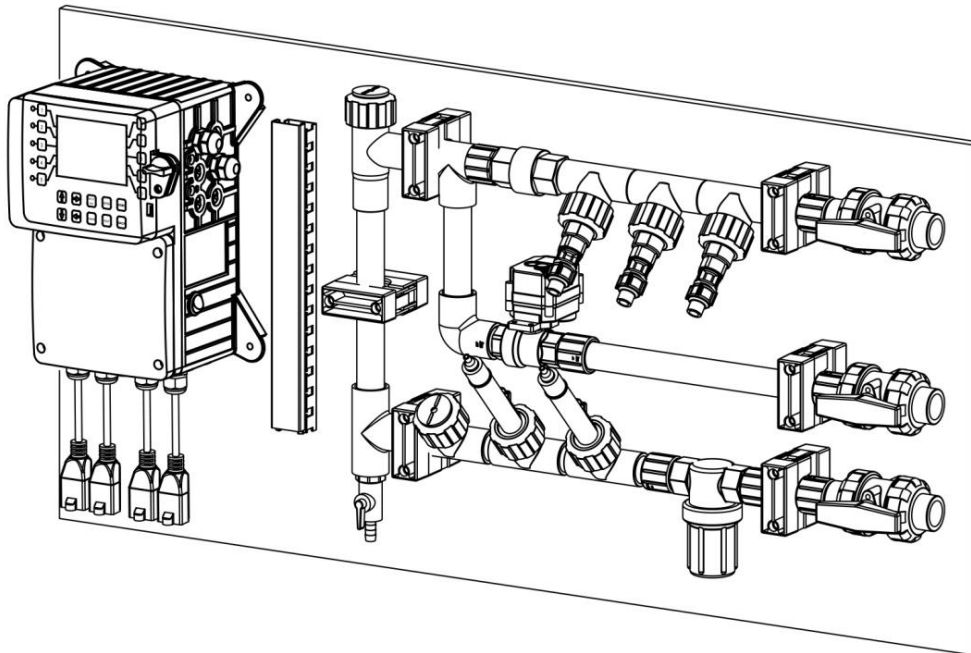
**Cooling Tower Conductivity and
pH control**



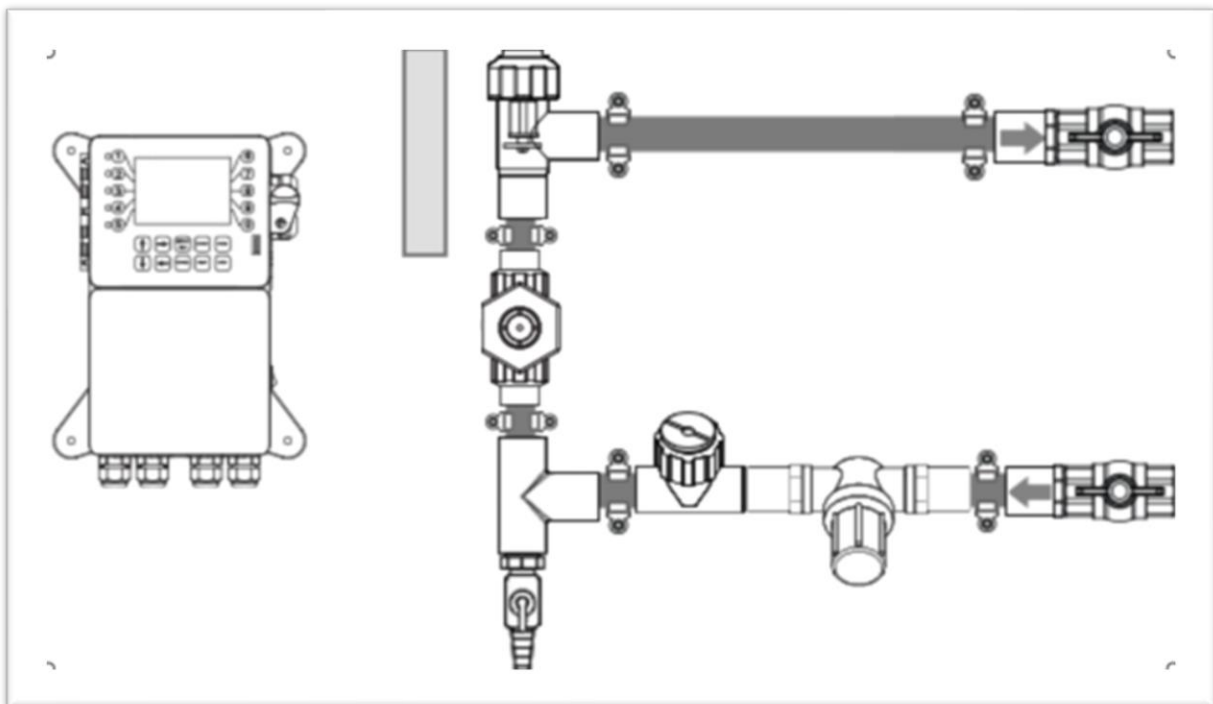
**Cooling Tower Conductivity, ORP
and pH control**



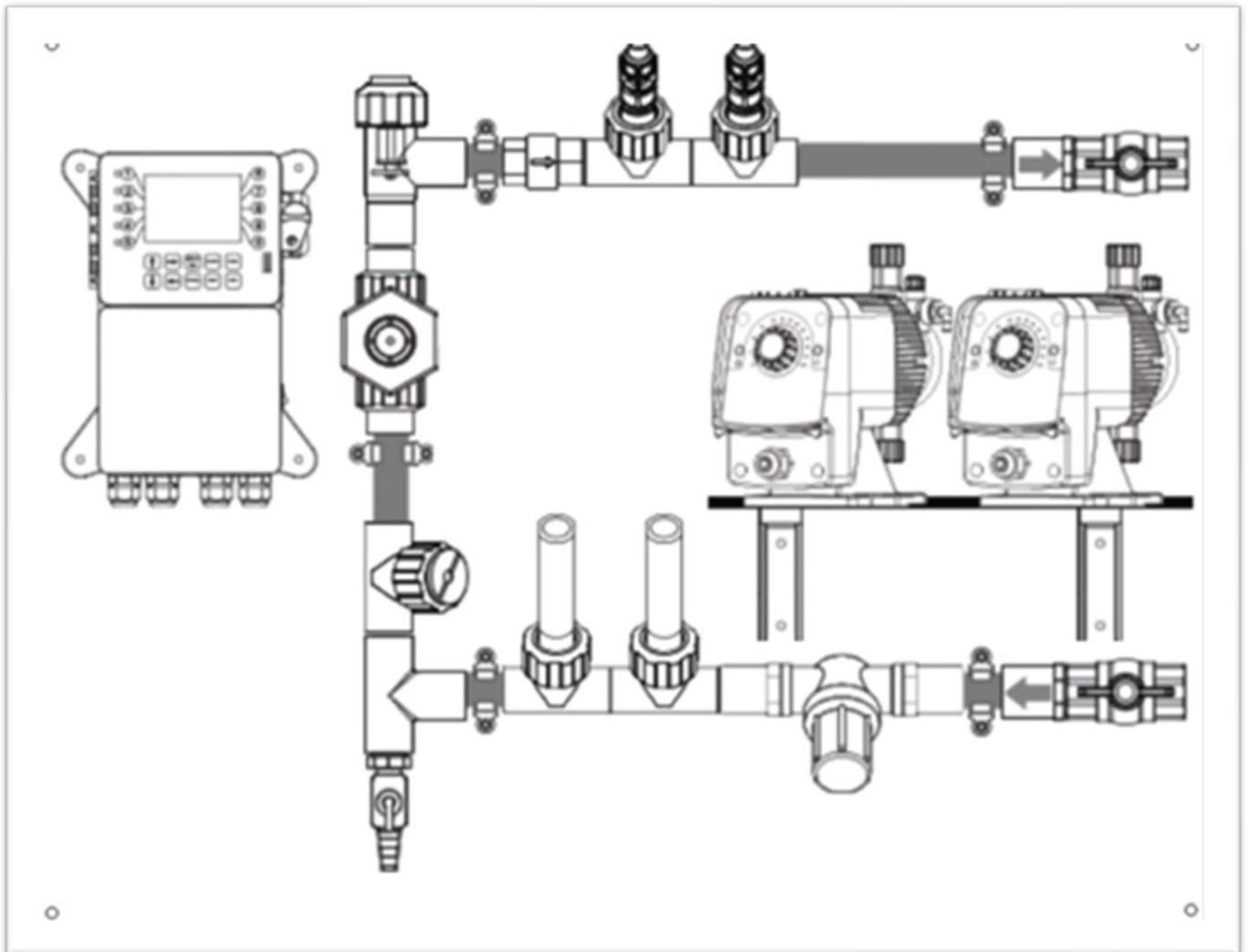
**Cooling Tower Conductivity, ORP and pH control
with bleed leg and injection points**



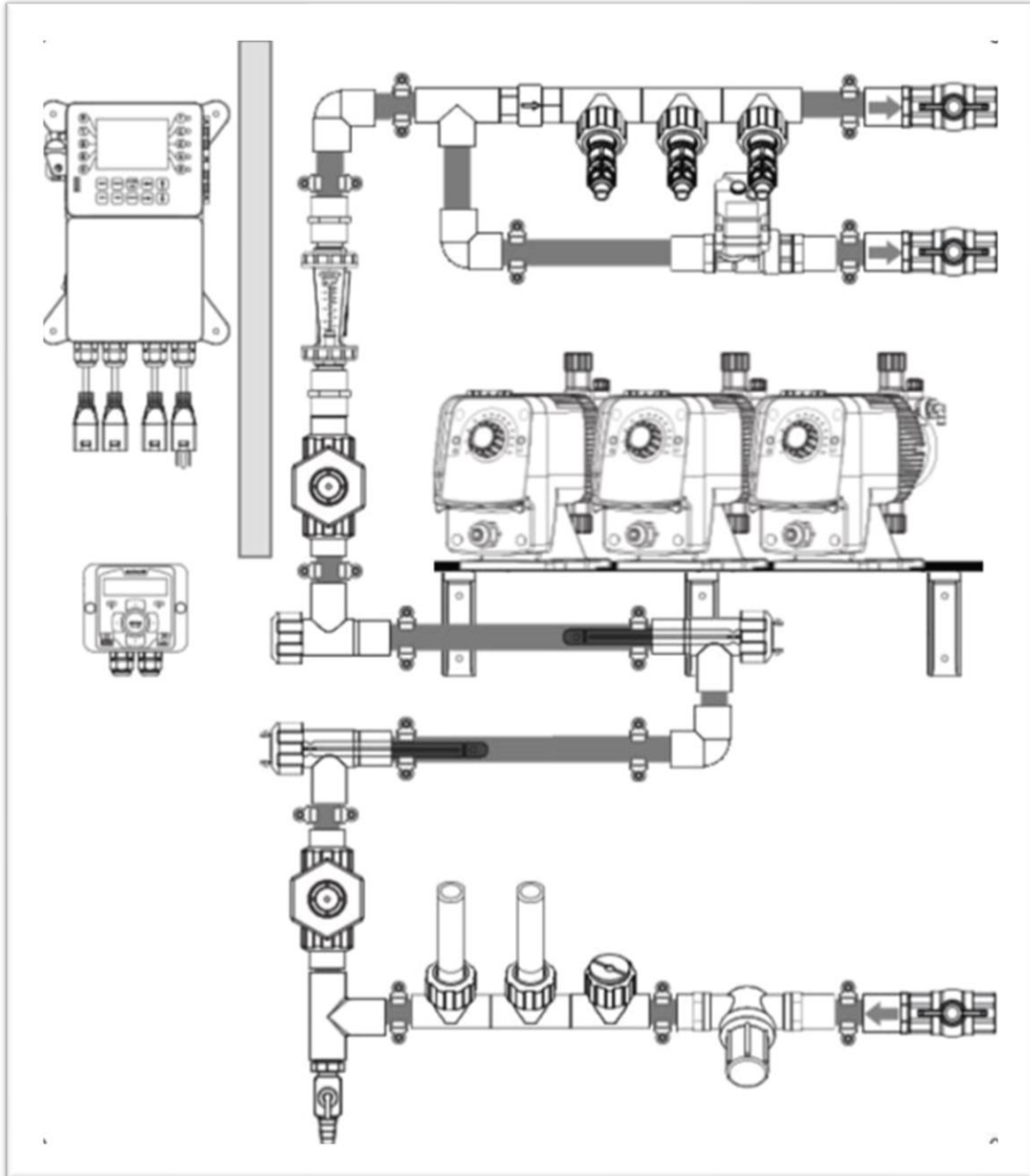
Cooling Tower Conductivity and PTSA



**Cooling Tower Conductivity, pH, ORP and PTSA
with injection points and pumps**



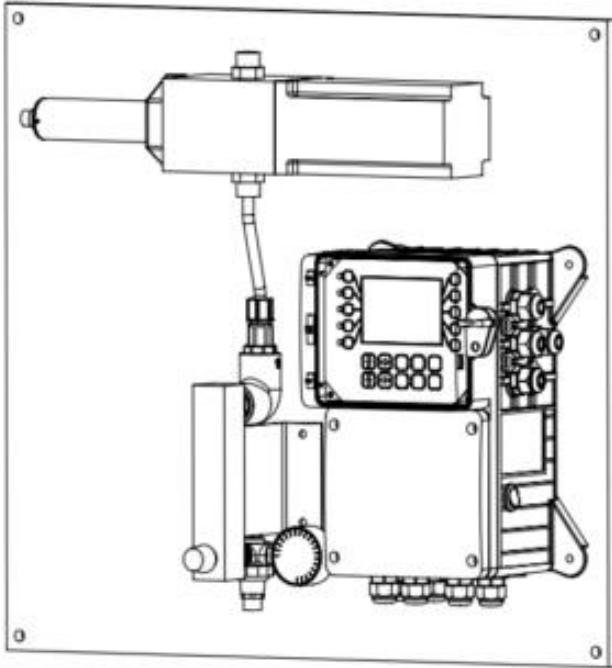
Cooling Tower Conductivity, pH, ORP, PTSA, Tagged Polymer, Turbidity and LPR Online corrosion, with injection points, pumps, bleed leg and two corrosion coupon holders



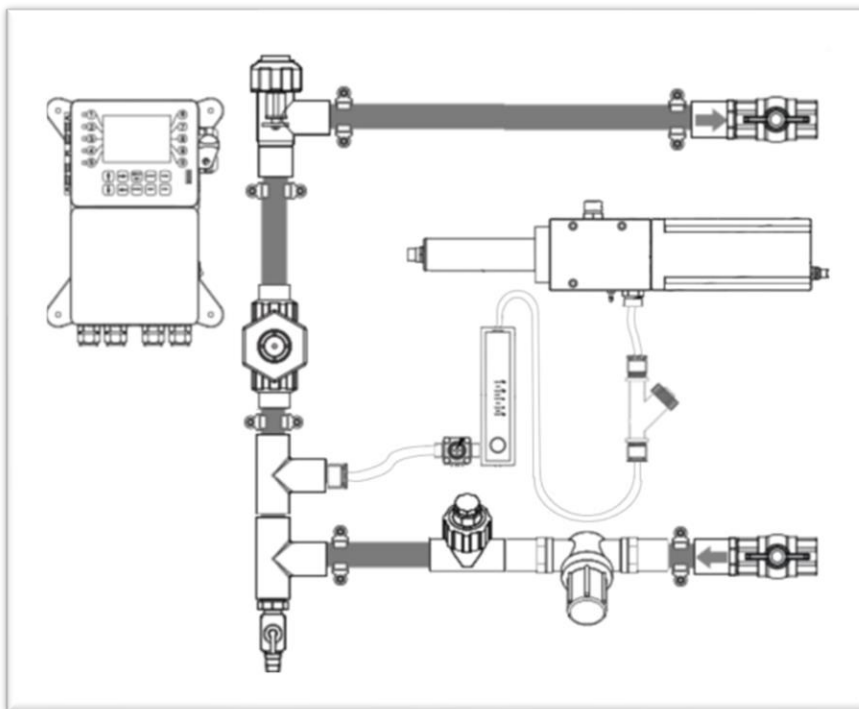
***This complete system is controlled with
one MegaTron XS!***

Oxidizer measurement

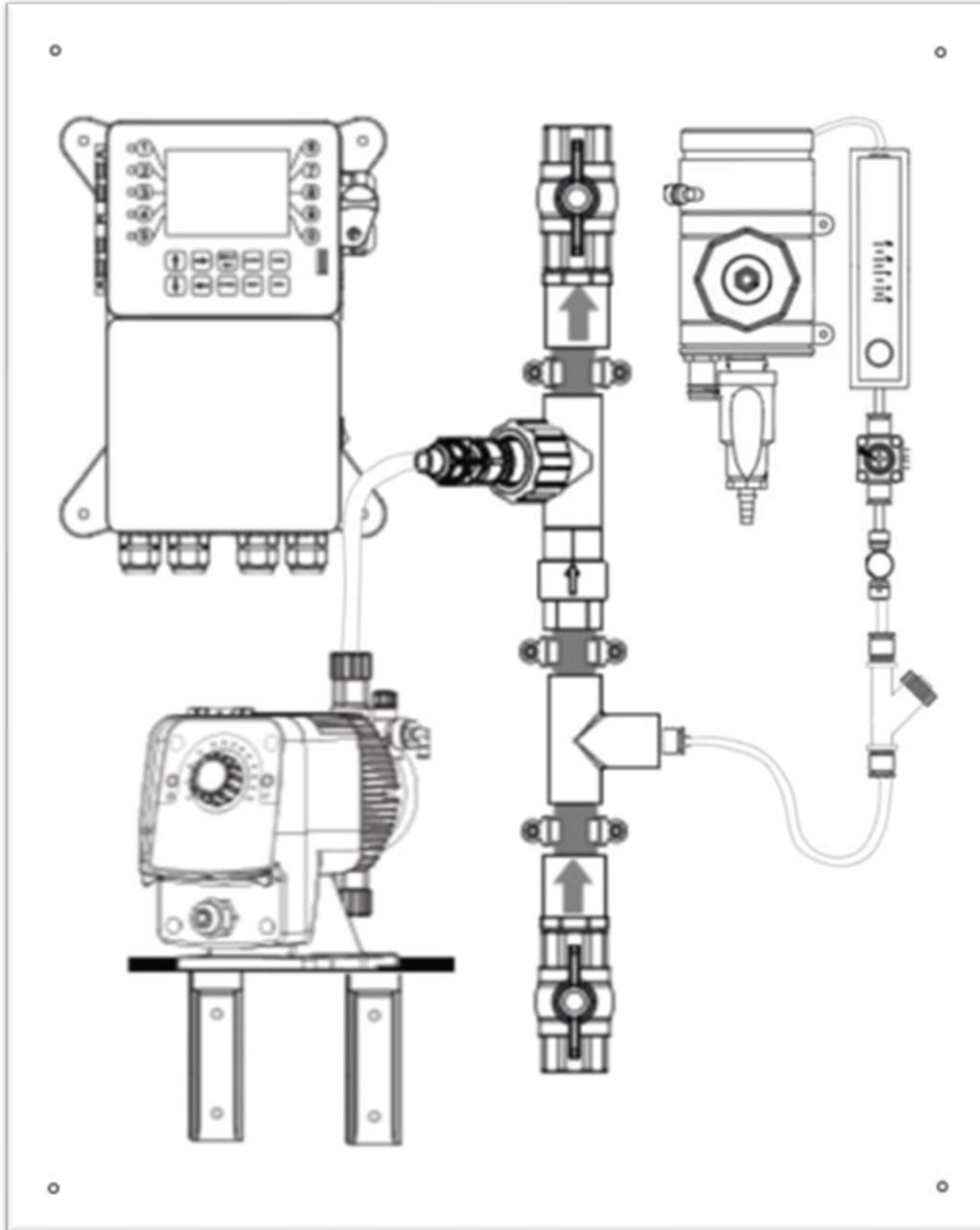
Non-membrane Free Chlorine and pH with automatic brush system



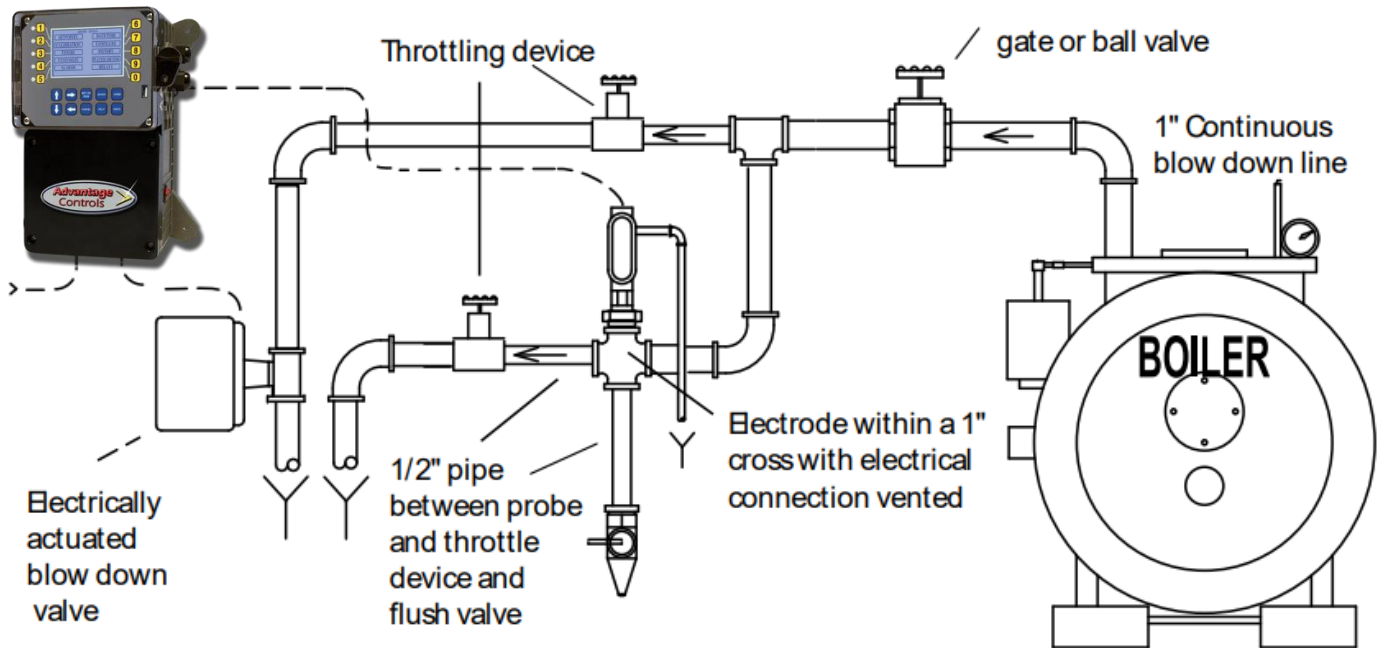
Cooling Tower Conductivity, pH, PTSA and non membrane Free Chlorine with automatic brush



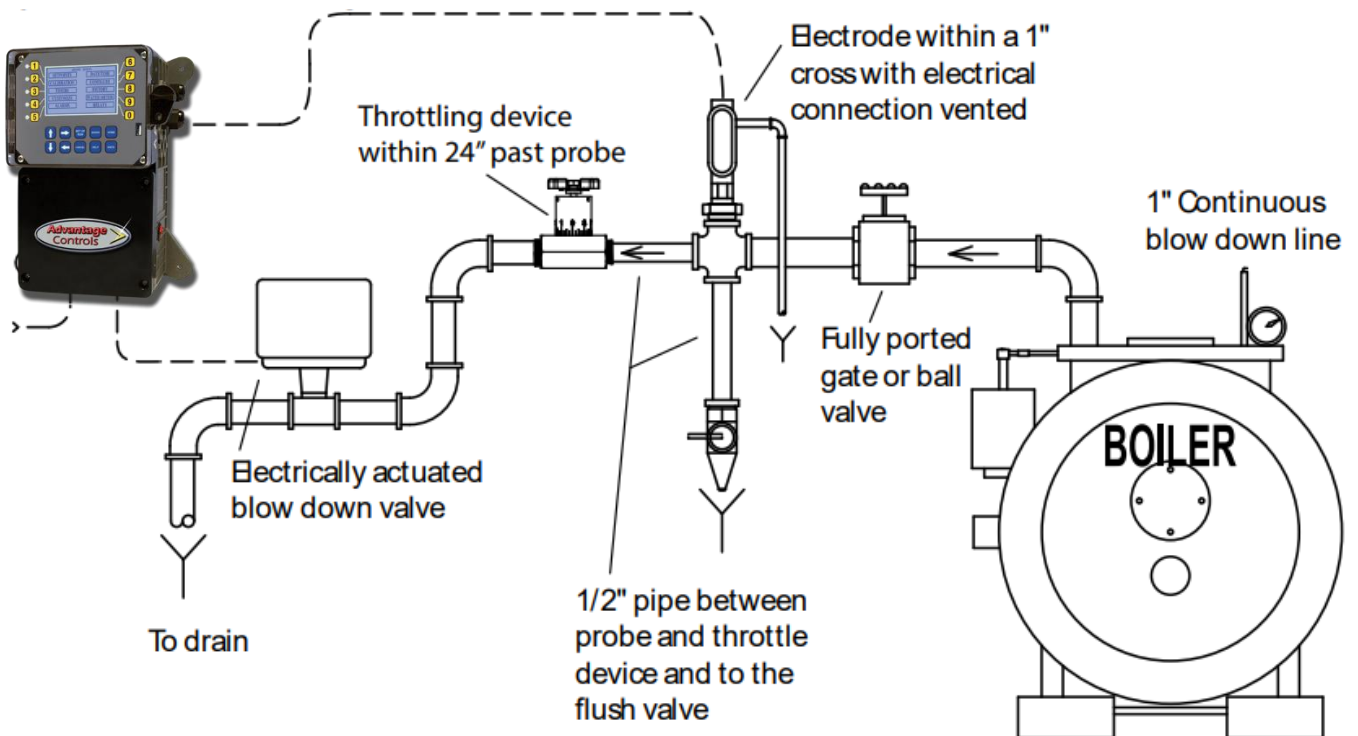
Drinking water non membrane Free Chlorine with flow reservoir and one injection point with pump



Boiler Continuous Sampling conductivity



Boiler Timed Sampling and Sample and Hold conductivity



Advantage *Europe*



Contact

Yorben Verboven | *European Sales Manager*

+32 470 05 59 89

Verboven.y@advantage-eu.com

Jeroen Wouters | *European Technical Manager*

+32 498 65 75 30

Wouters.j@advantage-eu.com

Visit our website for more info

www.advantage-eu.com

And follow us on LinkedIn

