

# P 400



**ALUMINUM**



## TECHNICAL DATA

Fluid connections	<b>1"1/2 BSP - DN 40</b>
Air connection	<b>1/2" BSP</b>
Max. Flow rate	<b>380 lt/min</b>
Max air pressure	<b>8 bar</b>
Max delivery head	<b>80 m</b>
Max Suction Lift Dry	<b>5 m</b>
Max Suction Lift Wet	<b>9,8 m</b>
Max Solid passing	<b>8 mm</b>
Noise level:	<b>78 dB</b>
Max Viscosity:	<b>40.000 cps</b>
Displacement per Stroke:	<b>1200 CC ~</b>

EX II 3/3 GD C IIB T 135 °C

Displacement per stroke may vary based on suction condition, discharge head, air pressure and fluid type.

**WEIGHT**

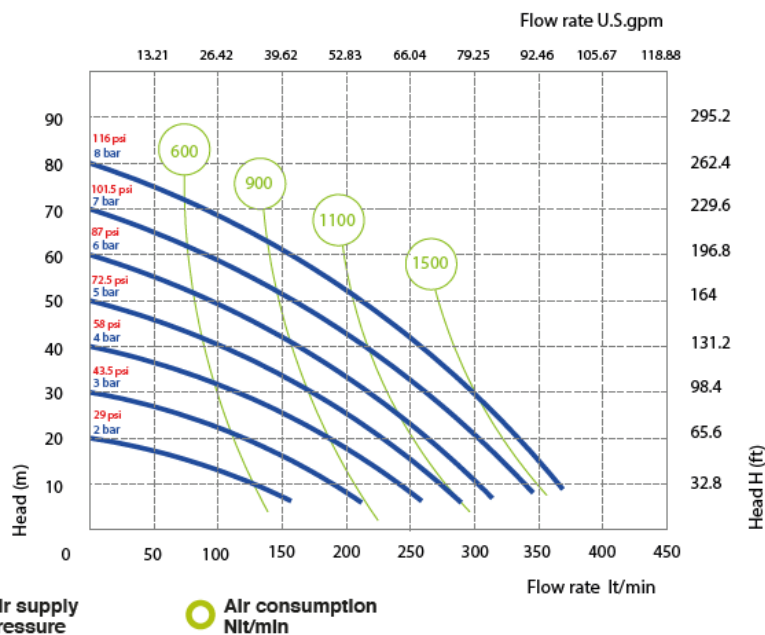
**22,2 KG**

**TEMPERATURE**

**-20°C**

**+95°C**

## PERFORMANCE



Air supply pressure

Air consumption Nlt/min

The curves and performance values refer to pumps with submerged suction and free delivery outlet, with water at 20°C. These data may vary according to the construction materials and hydraulic conditions.

Made in Italy



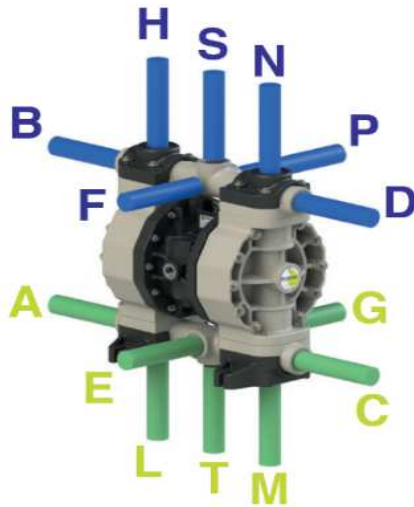
FLUIMAC S.r.l. - Via Ticino 2/4 - 21043 - Castiglione Olona - VA - ITALY  
[info@fluimac.com](mailto:info@fluimac.com) - [www.fluimac.com](http://www.fluimac.com)  
 tel. +39 0331 866688 - Fax +39 0331 864870  
 P.I./VAT 03259160129



# P 400

## COMPOSITION

MODEL	CASING	DIAPHRAGM	BALLS	SEATS	GASKET	CONNECTIONS	ATEX	PORTS
PO400	A = ALU	HT = HYTREL+PTFE MT = SANTOPRENE+PTFE H = HYTREL M = SANTOPRENE D = EPDM N = NBR	T = PTFE S = SS D = EPDM N = NBR	A = ALU S = SS Z = PE	D = EPDM V = VITON N = NBR T = PTFE	1 = BSP 2 = FLANGED 5 = NPT	-- ZONE 2	AB = STANDARD



## AVAILABLE CONNECTIONS

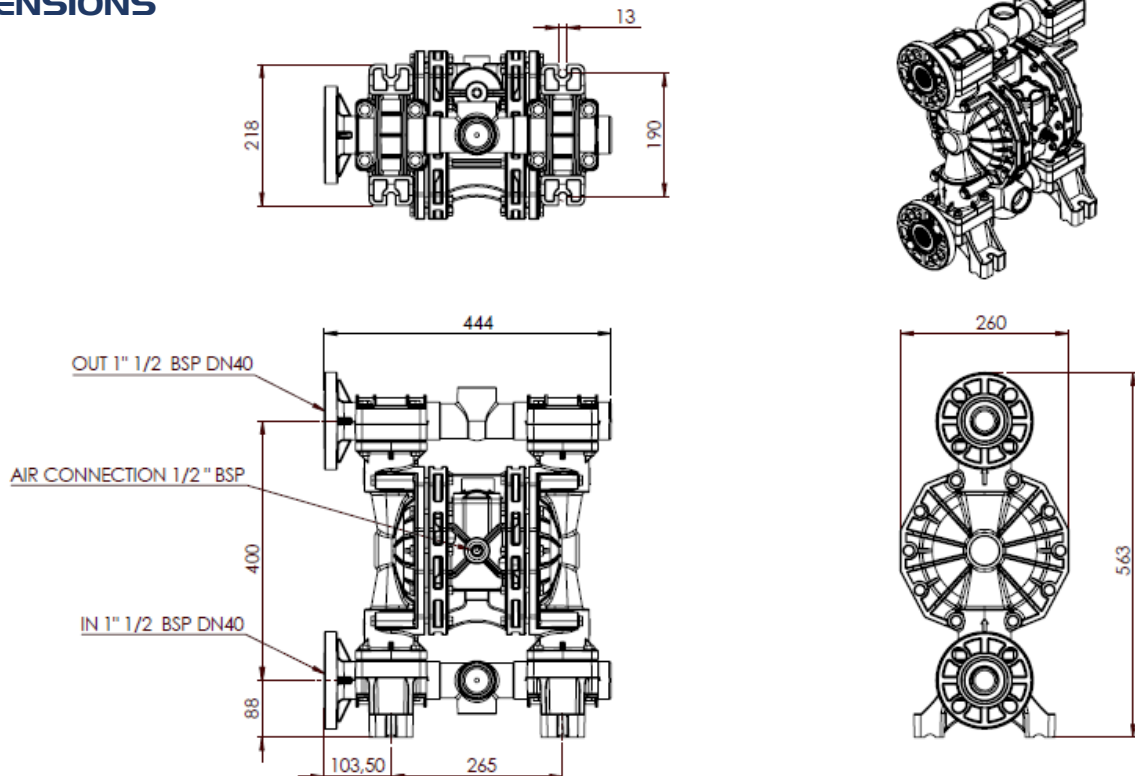
**DELIVERY: B-D-F-P-S**

**SUCTION: A-C-E-G-T**

## PACKING DIMENSION

CARTON BOX: 54 x 32 x 63 cm

## DIMENSIONS



Technical data are approximate and not binding for the manufacturer who reserves the right to change them without notice at any time.



FLUIMAC S.r.l. - Via Ticino 2/4 - 21043 - Castiglione Olona - VA - ITALY  
[info@fluimac.com](mailto:info@fluimac.com) - [www.fluimac.com](http://www.fluimac.com)  
 tel. +39 0331 866688 - Fax +39 0331 864870  
 P.I./VAT 03259160129

