

MicroLinX Electronic Metering Pumps

Europe **Advantage**



MicroLinX Series L

- Wi-Fi Linx for smart phone programming
- Large graphic display and keypad programmable
- 12,000:1 turndown
- Stroke and power LEDs
- Clear cover
- Auto stop option

User selectable operation modes include:

- Manual
- Pulse input
- 28-Day timer
- 4-20 mA input
- Pulse timer
- Recycle timer



MicroLinX Series M

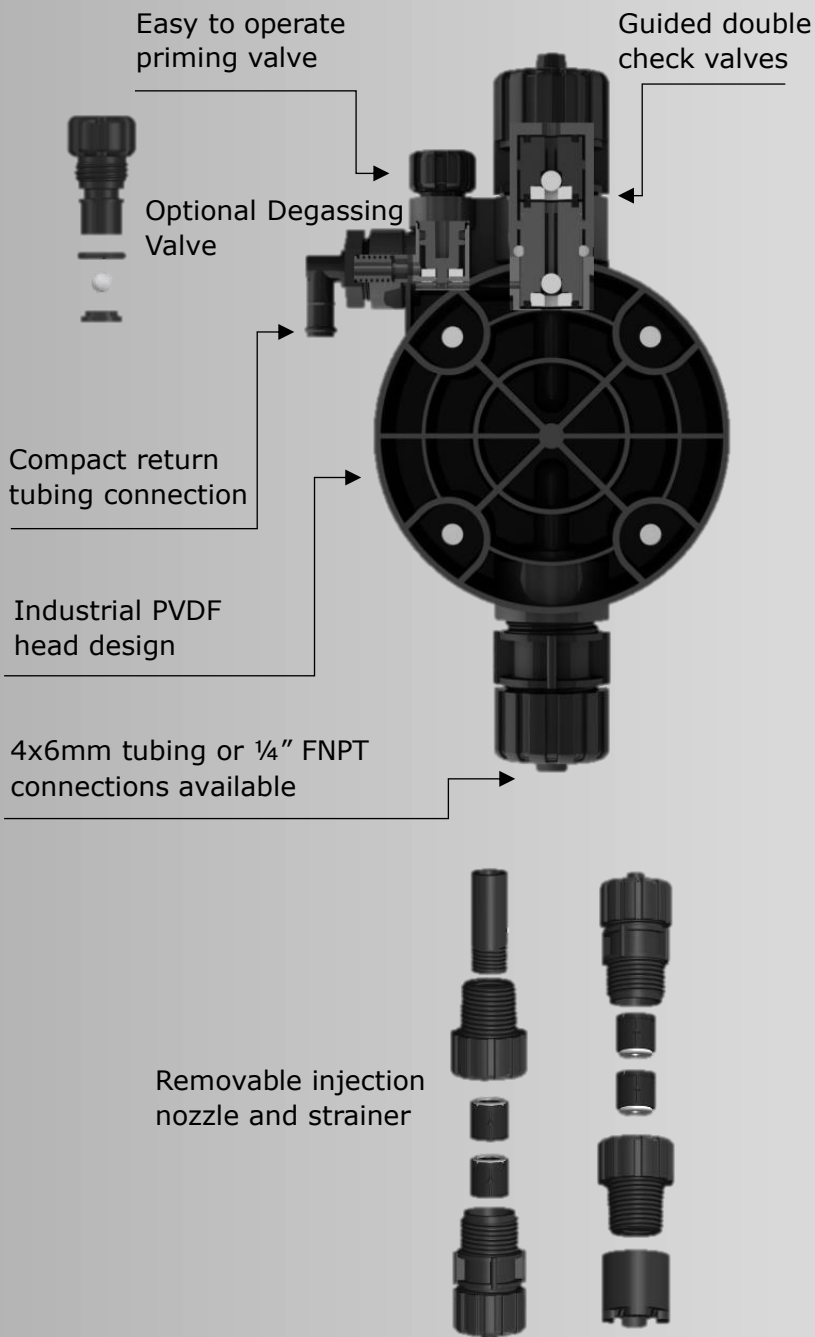
- Manual speed knob output control
- 200:1 turndown
- Stroke and power LEDs
- Clear cover

Easy operation

OFF	TIMERS
MANUAL	CLOCK SET
MULT/DIV	PASSWORD
mA IN	WIFI-ON

User-friendly settings. Easy to operate without the instruction manual

Liquid End Features



MicroLinx Screens

